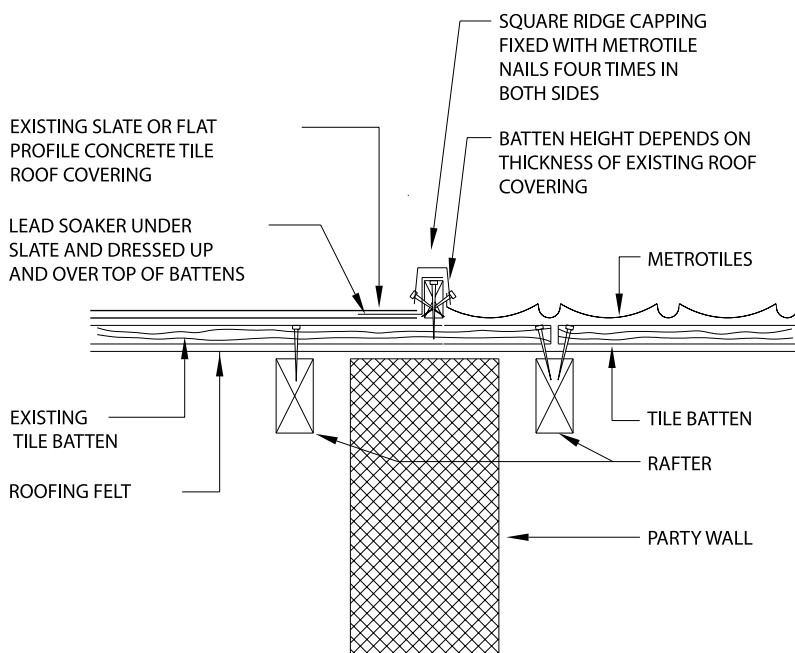


DETAIL OF METROTILES ABUTTING  
CONCRETE TILES OF PROFILED SECTION



DETAIL OF METROTILES ABUTTING SLATE  
OR FLAT PROFILE CONCRETE TILE

**Metrotile**  
Lightweight Steel Roofing

Metrotile UK Ltd.,  
Unit 3, Sheldon Business Park, Sheldon Corner,  
Chippenham, Wiltshire SN14 0RQ.  
Tel: +44(0) 1249 658514 Fax: +44(0) 1249 658453  
Email: sales@metrotile.co.uk. www.metrotile.co.uk.

CONTENT  
ABUTMENT TO OTHER  
ROOF COVERINGS:  
TILES

DRAWING SCALE

1:10

DRAWING NUMBER

M-016

DATE

JANUARY 2002

REVISION